



78x78x74 mm Universal

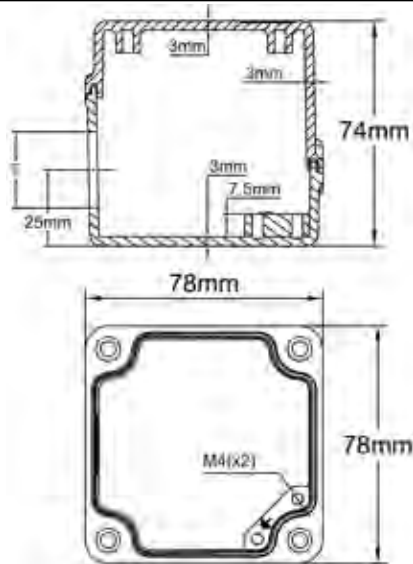
Immersion heaters connection boxes

Dimensions: 78x78x74 mm **Universal (1st section)**

Material: Die cast aluminum

Type: Unlosable stainless steel fasteners,
galvanic corrosion protected

Basic references

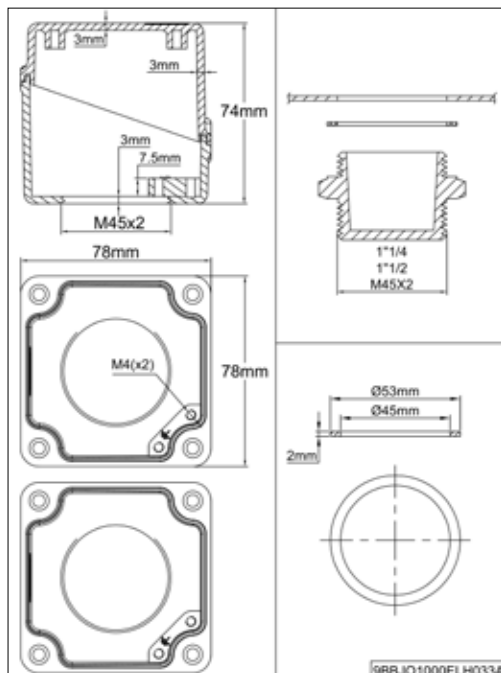


Basic references, sand blasted, no fitting holes, cable gland not included

| | |
|----------------------|------------------|
| No cable gland hole. | Y304U00B00TT0XA1 |
| PG11 thread (T) | Y304UM5B00TT0XA |
| M20 x 1.5 thread (T) | Y304UM1B00TT0XA |

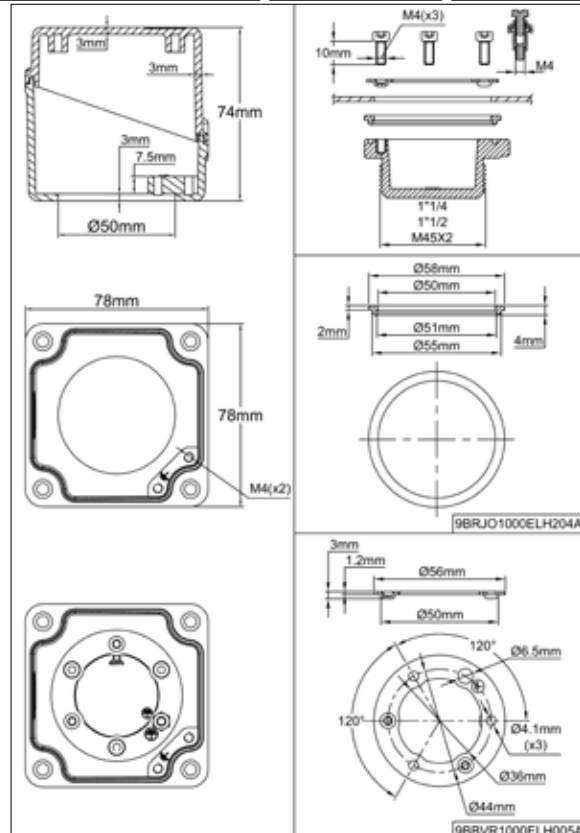
Main fitting configurations

M45 thread for brass fitting direct mounting*



Reference : Replace B00 in the basic reference by B45

Mobile brass fitting with 3 hole ring dia.50*



Reference : Replace B00 in the basic reference by B34

Immersion heaters connection boxes

Size 4



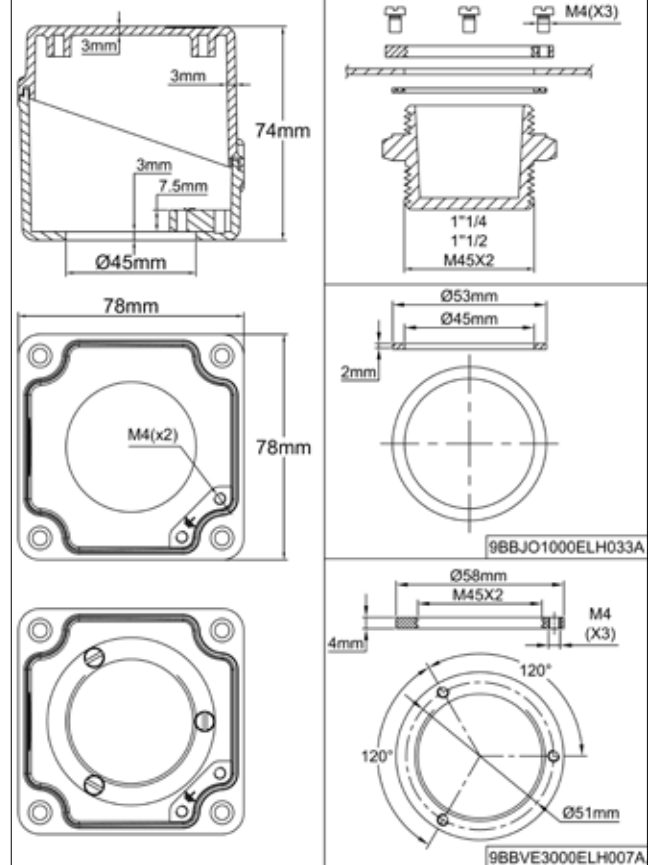
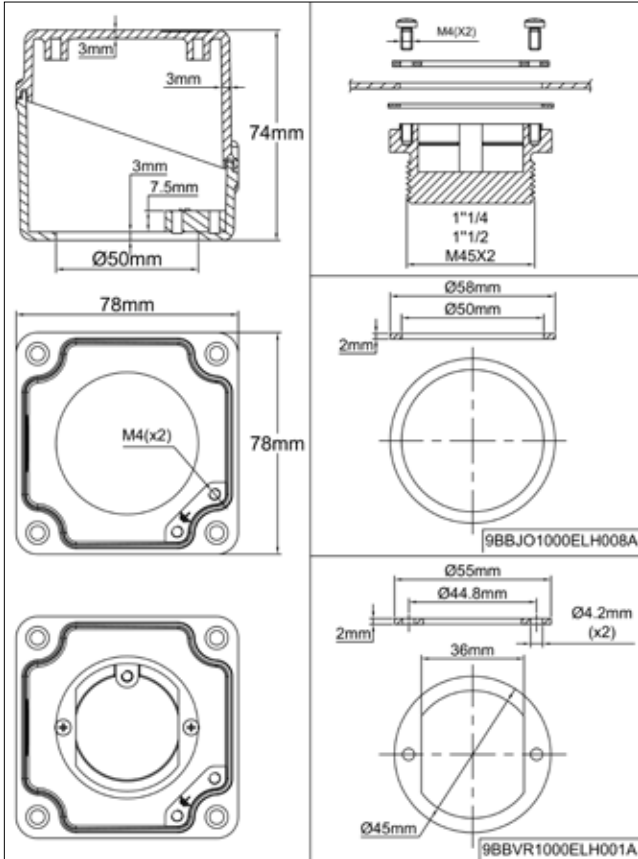
78x78x74 mm Universal

Dimensions: **78x78x74 mm Universal** (2nd section)

Main fitting configurations

Mobile brass fitting with 2 hole ring dia.50*

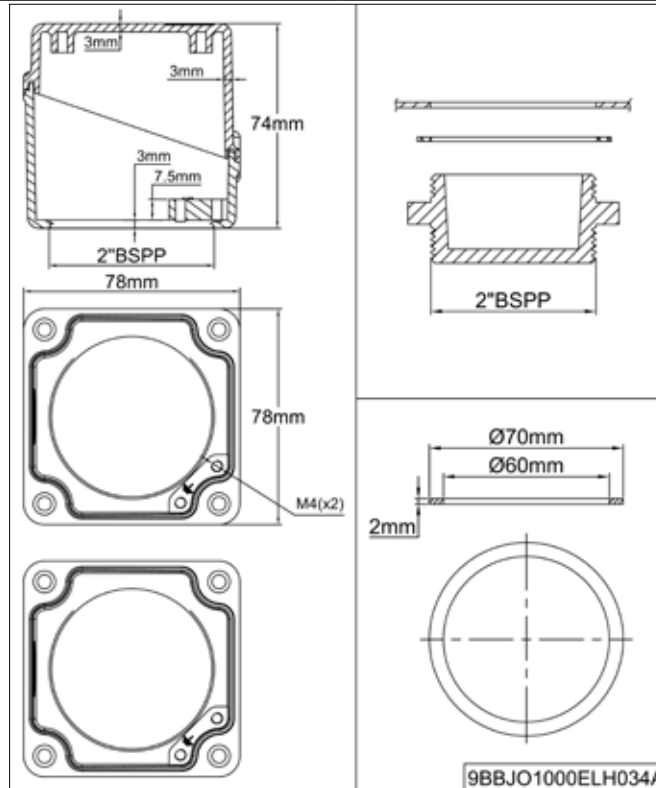
Mobile brass fitting with M45 threaded ring*



Reference : Replace B00 in the basic reference by B24

Reference : Replace B00 in the basic reference by BR4

2" thread for brass fitting direct mounting*



Reference : Replace B00 in the basic reference by B21

* References do not include the brass fitting (See accessories at the end of this catalogue)

Internal accessories: These models can receive thermostats and internal bracket options, see next page

Because of permanent improvement of our products, drawings, descriptions, features used on these data sheets are for guidance only and can be modified without prior advice

